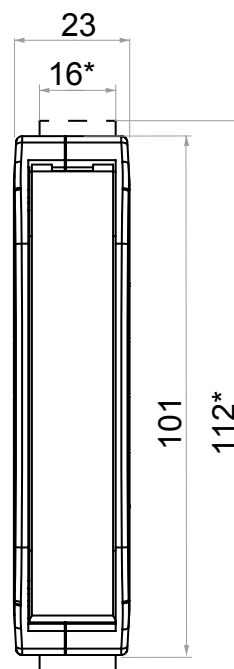
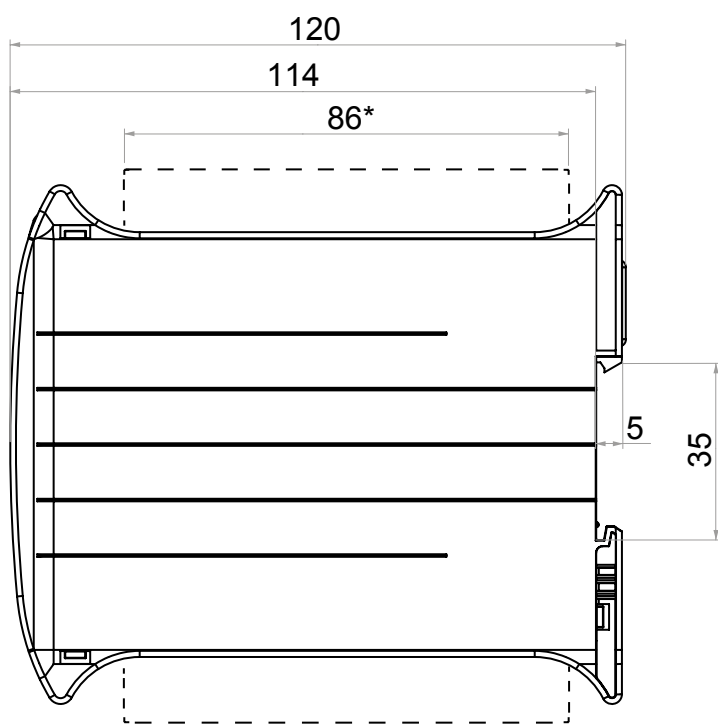
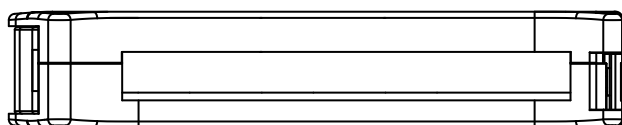


# PROFINET1S



- \* Maximum encumbrance of the extractable connection terminals

dimensions in mm